

1/2 inch, Automatic Reset type

THERMOSTAT US-622

Application/ Oven, Heating unit, LBP etc.
Operating temp. 185°C max.



Polyester resin case US-622AXRLQE



Model code

US-622□□□□□□

The material of the bracket stainless steel (other than KO and SO)

- QO : Aluminum cover , no bracket
 - QE : Aluminum , movable surface bracket (pitch 23.8mm)
 - QE-FB : Aluminum , fixed surface bracket (pitch 23.8mm)
 - QL : Aluminum , movable surface bracket (pitch 24.5mm)
 - QL-FB : Aluminum , fixed surface bracket (pitch 24.5mm)
 - KO : Aluminum , air stream basket (depth 5.0mm , 24.5mm)
 - GO : Aluminum , air stream basket (depth 5.4mm , 24.5mm)
 - MO : Stainless cover , no bracket (with φ 12 hole type)
 - IO : Stainless , air stream basket (depth 4.6mm , 24.5mm)
 - JO : Stainless , air stream basket (depth 5.2mm , 24.5mm)
 - QD : Aluminum , movable surface bracket (pitch 30.0mm)
 - QM : Aluminum , movable surface bracket (pitch 23.8mm) (for mounting an M3 tapping screw)
 - FO : Stainless cover , no bracket
 - DO : Aluminum cover , no bracket (with φ 12 hole type)
 - NO : Aluminum cover , no bracket (with frange type)
 - CO : Stainless , air stream basket (with hole, depth 5.2, 24.5)
 - SO : Brass cover , stud mounting type [M3 × 0.5, M4 × 0.7, M5 × 0.8, 6-32UNC, 8-32UNC, 10-32UNF]
-
- L : Terminal for positive lock connector 250 series (size : 6.35 × t 0.8 material: brass , Ni-plated)
 - G : Terminal for positive lock connector 250 series (size : 6.35 × t 0.8 material: steel , Ni-plated)
 - M : Terminal for positive lock connector 187 series (size : 4.75 × t 0.5 material: brass , Ni-plated)
 - H : Terminal for positive lock connector 187 series (size : 4.75 × t 0.5 material: steel , Ni-plated) ※ H : Combination of horizontal terminal (R)
 - V : Connector IEC60730-1 quasi-terminal (size : 4.8 × t 0.8 material: brass , Ni-plated)
 - D : DIN46244 quasi-terminal (size : 4.8 × t 0.8 material: brass , Ni-plated)
 - I : For fixing with screw (steel t 0.8 , Ni-plated) ※ I : Combination of horizontal terminal (R)
 - S : For soldering (Brass t 0.5 , Sn-plated)
-
- R : Horizontal terminal
 - T : Vertical terminal
-
- X : Open on temperature rise
 - Y : Close on temperature rise
-
- A : Ag · Ag alloy contact / standerd case (Type A)
 - P : Ag · Ag alloy contact / 4 post case (Type P)
 - K : Au cross bar contact / standerd case (Type K)

※ For Cover and bracket model, please refer to page 16.



US-622AXRSGO



US-622AXTLQE

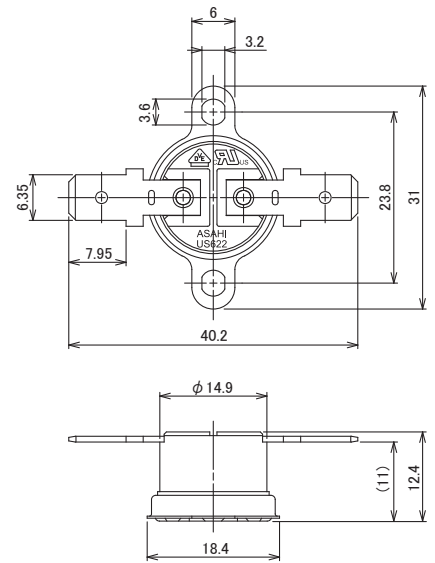
Specification

Electrical rating	Type A·P : 125 VAC 15A max. , 250 VAC 10A max. (resistive load) ··· 100,000 times or more			
Switching durability	250 VAC 16A max. (resistive load) 30,000 times 250 VAC 6 (6)A Cos φ 0.6, inductive load 10,000 times Type K : 30 VDC 1 A max. (5 VDC 1mA min.)			
Operating temp. range	0~50°C	51~100°C	101~150°C	151~185°C
Temperature tolerance	±4K / ±5K	±4K / ±6K	±5K / ±7K	±6K / ±8K
Differential	12K	15K	20K	25K
Circuit resistance	Type A·P : 50 mΩ or less , Type K : 10 mΩ or less			
Insulation resistance	100 MΩ or more [with a 500 VDC megger]			
Dielectric strength	Type A·P : 1500 VAC / 1 min. , Type K : 1200 VAC / 1 min			
The max. override temp.	235°C			
Cold resistance	-20°C			
Switching durability	100,000 times or more [at rated load]			

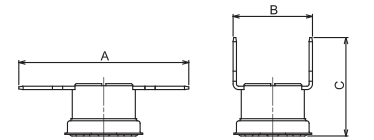
- * The differential varies slightly with the operating temperature.
- * Please contact the Overseas Sec for the details since the types and specifications of the approved models are slightly different from those shown above.
- * US-622 is adapted to be a S.O.D. with a quick response.

Dimensional drawings

US-622SXRLQE



Terminal type and angle



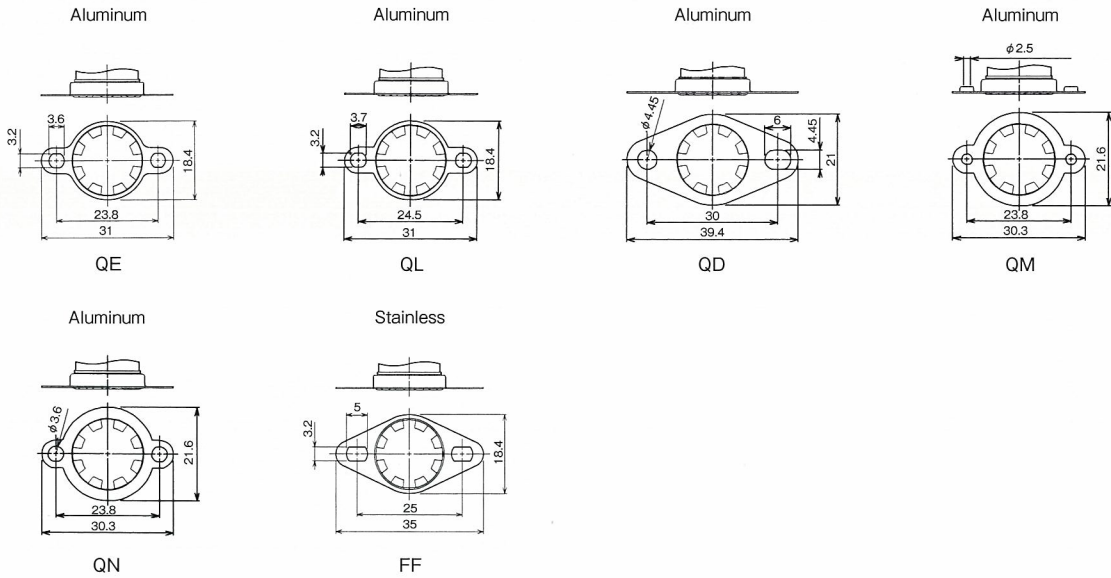
[Unit : mm]

Terminal type	A	B	C
L , G	(40.2)	(18.8)	(23.3)
M , H	(36.0)	(18.2)	(20.9)
V	(33.0)	(19.0)	(19.5)
D	(34.5)	(19.0)	(20.5)
I	(34.5)	—	—
S	(22.5)	(16.0)	(16.0)

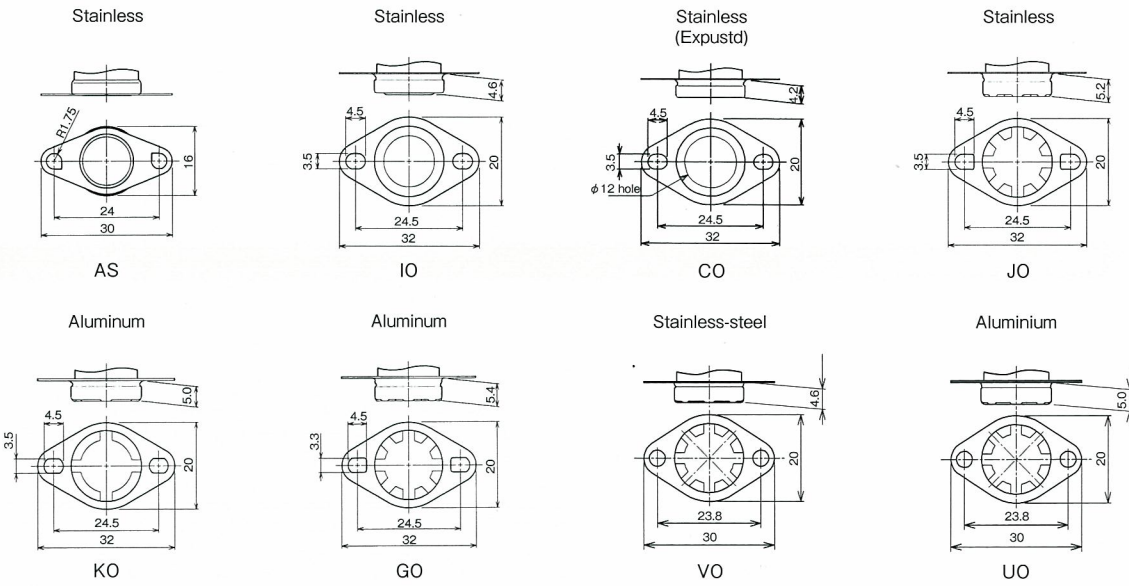
※ Above dimation is applied for US-622

Holder model

Movable bracket



Fixed bracket (FIXED)



No bracket

