

## BTS1 – Screw-In Boiler Temperature Sensors

A range of screw-threaded temperature sensors with a 1/8" BSP gas thread and integral connector. A wide range of NTC thermistors can be incorporated in this design helping you fine-tune it to your application.

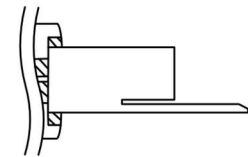
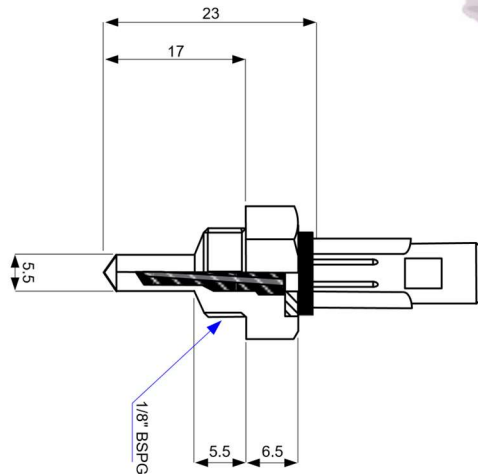
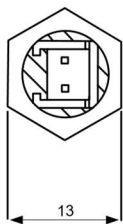
Originally designed for use in gas boilers, they can be used anywhere you want to sense or control a fluid temperature in a pipe or vessel. Also available with integral flying leads instead of connectors.

### Applications

- Gas boilers
- Heating and air conditioning systems
- Instant water heaters
- Compressors

### Features

- Fast response design ( $T_c \leq 5s$ )
- Accuracy  $\pm 3\%$ , available  $\pm 0.2K$  (0-70°C)
- Interchangeability between NTCs
- Excellent long-term stability
- Operating range up to +150°C possible



UNIT (mm)

NTC Thermistor Series	AT-2, ATC3, ET, ATCG, ATCS, SP
Temperature Range	-50°C/+150°C depending on NTC
Sensor Accuracy	R25 $\pm 3\%$ as standard, $\pm 0.2K$ (0-70°C) available
Sensor Material	Nickel-plated brass, brass, stainless steel
Lead Wires	Integral as a special option
Connectors	Lumberg 2.5 MSF, Tyco Modu, etc

**Options** Special versions available, please contact us with your requirements.

Please contact us at [sales@atcsemitec.co.uk](mailto:sales@atcsemitec.co.uk)