



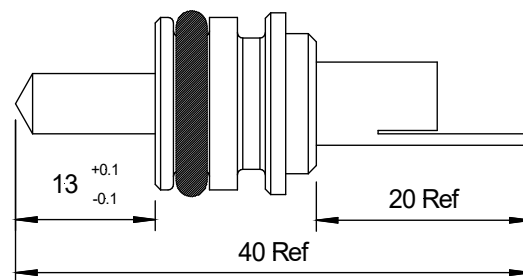
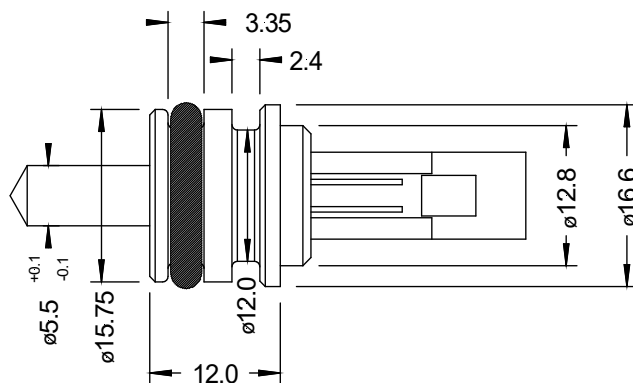
BTS4 Boiler Temperature Push-Fit Sensors

Applications

- Gas boilers
- Heating & air-conditioning systems
- Instant water heaters
- Compressors

Features

- Push-fit design for plastic heat exchangers
- Accuracy $\pm 1^{\circ}\text{C}$ or better
- Interchangeability between NTCs
- Excellent long-term stability
- Operating range up to 140°C



NTC Thermistor Series	AT-2, ATC3, ET, NT, ATCS, SP
Temperature Range	$-40^{\circ}\text{C}/+140^{\circ}\text{C}$
Sensor Accuracy	$R25 \pm 3\%$ as standard, $\pm 1\%$ available
Sensor Material	Nickel-plated brass, brass, stainless steel
Lead Wires	Integral lead-wires as an option
Connectors	Lumberg 2.5 MSF, Tyco Modu, etc.

Options

Special fast-response versions available for volume applications