



## PEPI H1 Bimetal Thermal Fuses

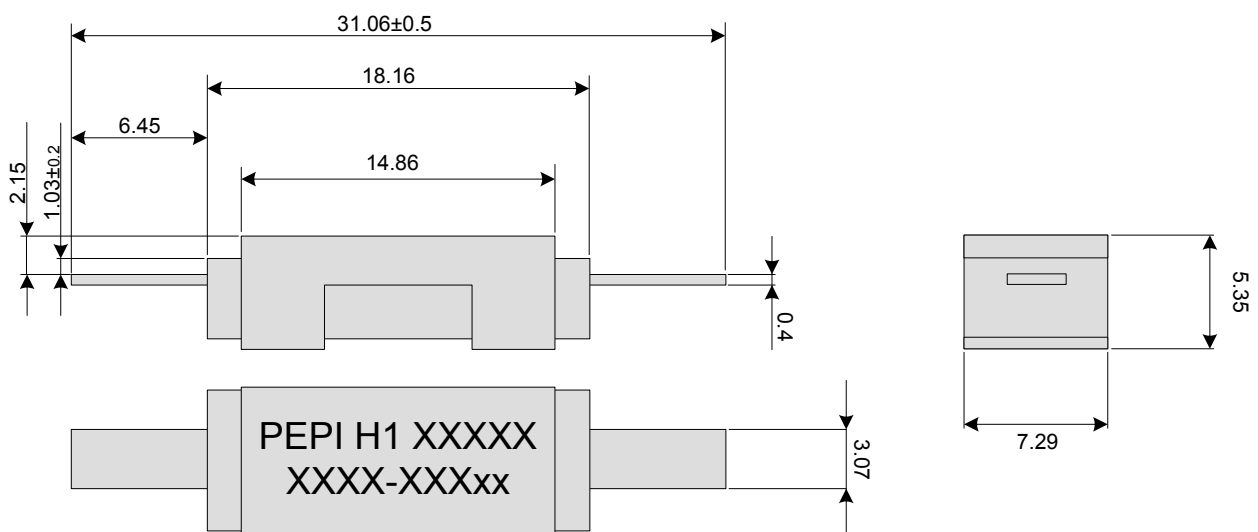
A range of low-profile one shot bimetal thermal fuses offering superior and ultimate over temperature protection.

The PEPI H1 is the latest in a series of bimetal fuses that do not suffer from premature aging.

The bimetal is specifically formed to snap open at its pre-determined setting and will not reset, even at temperatures as low as  $-35^{\circ}\text{C}$ .



- Temperature Settings:  $160^{\circ}\text{C}\sim 240^{\circ}\text{C}$
- Contact Rating: 8A/250VAC, 8A/24VDC
- Reset Temperature:  $< -35^{\circ}\text{C}$
- Dielectric Strength: 1500VAC
- Insulation Resistance: More than  $100\text{M}\Omega$



### Mounting & Other Options

Various housings or lead-wires can be added to enable radial mounting and connecting options.