

# MODEL J-2



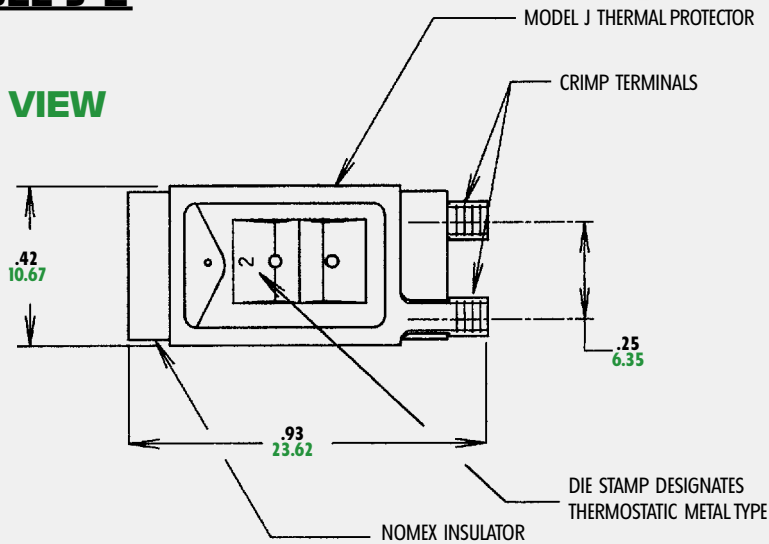
A snap action thermostat that functions like a non-resettable type control. This single operation thermostat performs like a thermal fuse with the reliability of a 100% tested bimetallic thermal control.

## FEATURES

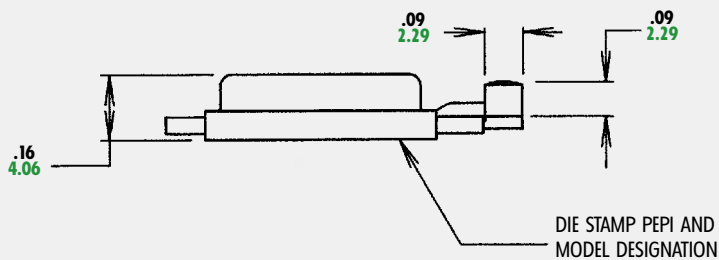
- Conductive bimetal construction; the bimetallic element carries the circuit current for maximum current sensitivity under short circuit conditions.
- Snap action device; quick make/quick break switching action.
- Single operation type device. The reset temperature is less than 0°C. This prevents the thermostat from resetting under normal operating conditions.
- Case is electrically alive, insulation material is available to provide isolation from the circuit.
- Preset calibration temperature, not adjustable in the field.
- Available with factory applied leads.

## MODEL J-2

### TOP VIEW



### SIDE VIEW



## CONTACT RATINGS

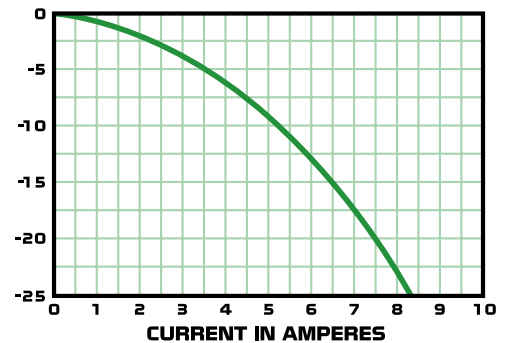
- 15 amps/120 volts AC resistive
- VDE certified

NOTE: SPECIAL STAMPING REQUIRED

## CALIBRATION TEMPERATURE RANGE

- Available with nominal calibration temperatures from 70°C to 160°C.

## CURRENT DERATING CURVE



METRIC DIMENSIONS ARE IN MM (SHOWN IN GREEN)

Copyright 2006, Portage Electric Products, Incorporated, all right reserved

We come through when the heat is on™



Pepi®

Portage Electric Products, Inc.