



SP Series

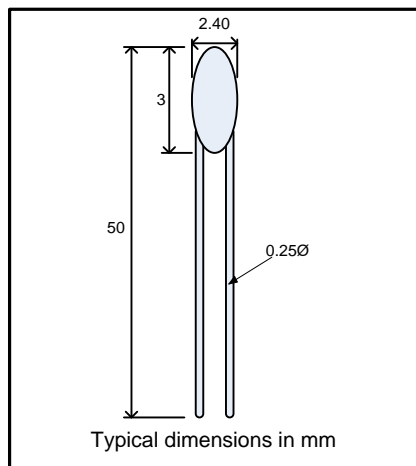
Interchangeable NTC Thermistors

Applications

- Heating and air conditioning systems
- Industrial electronics / instrumentation
- Automotive electronics
- Medical applications

Features

- Fast response design
- Standard accuracy $\pm 0.2K$ (over 0-70°C)
- Interchangeable between NTC's
- Excellent long term stability
- Operating range -50 to 150° C



Temperature coefficient at 25°C	P25	$\geq 4\% / ^\circ C$
Rated Temperature	Tn	25 °C
Dissipation factor (in air)	δ_{th}	Approx. 2 mW/K
Thermal time constant (in air)	Tc	Approx. 15s

R25(Ω)	B25/85 K	$\pm 0.1K$ (0~70°C)	$\pm 0.2K$ (0~70°C)	$\pm 0.5K$ (0~70°C)
2.252k	3977	232SP - E050	232SP - F050	232SP - G050
3k	3977	302SP - E050	302SP - F050	302SP - G050
5k	3977	502SP - E050	502SP - F050	502SP - G050
10k	3977	103SP - E050	103SP - F050	103SP - G050
30k	4262	303SP - E050	303SP - F050	303SP - G050
50k	4262	503SP - E050	503SP - F050	503SP - G050
100k	4262	104SP - E050	104SP - F050	104SP - G050

Options

Other R25 values, B values, insulated lead-wires, tolerances and encapsulation available