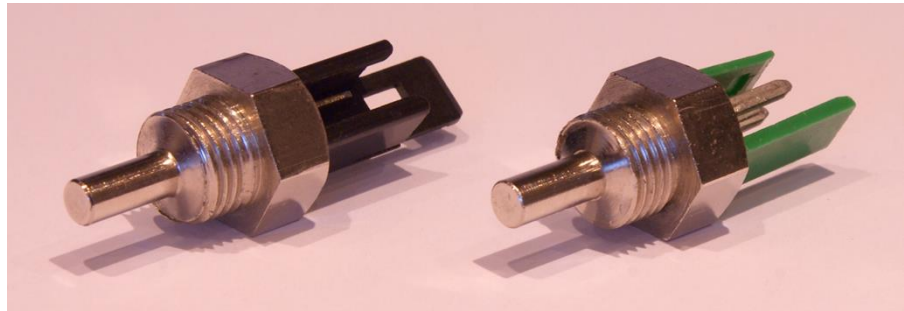




FRP3 Fast Response Thermistor Sensors

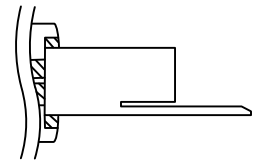
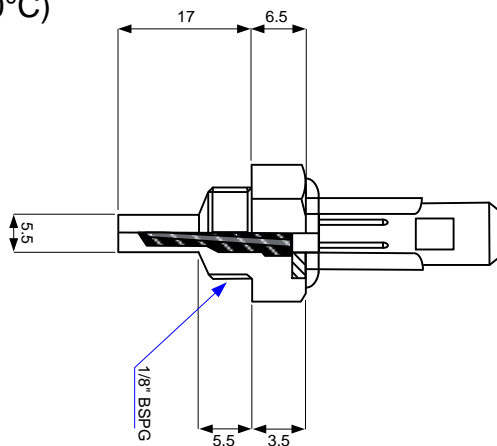
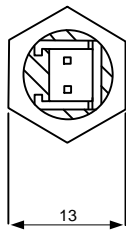
Applications

- Gas boilers
- Heating and air conditioning systems
- Instant water heaters
- Compressors



Features

- Fast response design ($T_c \leq 1s$)
- Accuracy $\pm 1\%$, available $\pm 0.2K$ (0-70°C)
- Interchangeability between NTCs
- Excellent long-term stability
- Operating range up to +125°C



UNIT (mm)

NTC Thermistor Series	AT-2, ATC3, ET, GT, ATCS, SP
Temperature Range	-40°C/+125°C depending on NTC
Sensor Accuracy	R25 $\pm 3\%$ as standard, $\pm 1\%$ available
Sensor Material	Nickel-plated brass, brass, stainless steel
Lead Wires	Integral as a special option
Connectors	Lumberg 2.5 MSF, Tyco Modu, etc

Options

Special versions available