

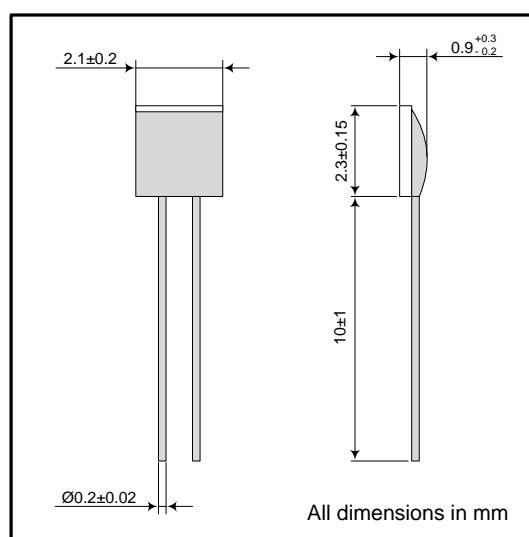
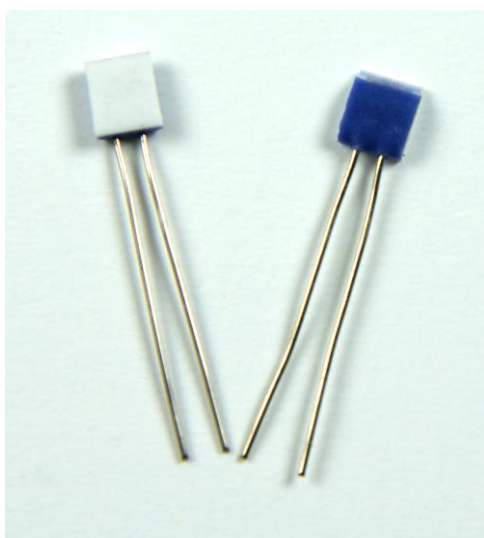


# SPT Series Thin Film Platinum Elements

A range of 2-wire thin-film Pt (Platinum) elements in accordance with DIN EN 60751 (IEC 751)

R0 (0°C) values of 100, 500 and 1000Ω available with Class A and B tolerances.

High stability and suitable for use up to 500°C (Class B) or 300°C (Class A)



Part #	R0 (Ω)	Class	Accuracy	Temp Range	Product Description
SPT101A2X2N	100	A	±0.15K at 0°C	-50/+300°C	Pt100 Class A, 10mm Ni leads
SPT101B2X2N	100	B	±0.3K at 0°C	-70/+500°C	Pt100 Class B, 10mm Ni leads
SPT501B2X2N	500	B	±0.3K at 0°C	-70/+500°C	Pt500 Class B, 10mm Ni leads
SPT102A2X2N	1000	A	±0.15K at 0°C	-50/+300°C	Pt1000 Class A, 10mm Ni leads
SPT102B2X2N	1000	B	±0.3K at 0°C	-70/+500°C	Pt1000 Class B, 10mm Ni leads

Nickel wire leads: for attachment, spot-welding or hard soldering is recommended

For use in dry environments, otherwise to be sheathed in housing suitable for intended media

If bending the lead-wires, ensure this is done at least 3mm from the element connection

Other size elements, lead-wire options and tolerances/classes available on request