



## BTS5- Fast Response Push Fit Boiler Probe

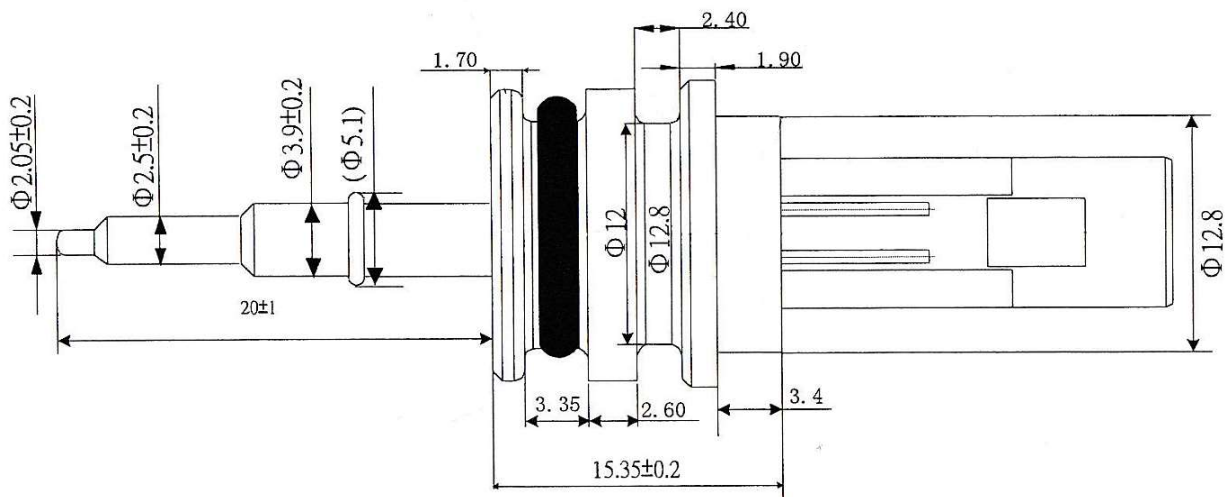
This is a unique design temperature sensor with a thin-wall stainless steel tip. This offers a very fast response with a time constant of typically less than 1 second. This sensor is ideal for use in district heating systems where slower sensors limit overall system performance. Available as a push-fit mounting or with a 1/4" BSPG screw-threaded boss.

### Applications

- Gas boilers
- District heating systems
- Instant water heaters
- Compressors

### Features

- Fast response design ( $T_c \leq 1s$ ) 25°C
- Accuracy to  $\pm 0.3K$
- Interchangeability between sensors
- Excellent long-term stability
- Operating range up to +150°C possible



NTC Thermistor Series	ET, NT, SP
Temperature Range	-50°C/+150°C depending on NTC
Sensor Accuracy	R25 $\pm$ 3% as standard, $\pm 0.2K$ (0-70°C) available
Sensor Material	316 stainless steel
Connectors	Lumberg 2.5 MSF, Tyco Modu, etc

**Options** Special versions available, 1/4" Screw-threaded, etc.

For further information please contact us at [sales@atcsemitec.co.uk](mailto:sales@atcsemitec.co.uk)