

PEPI – F Thermal Cutout

A small, versatile snap-action thermal protector used mainly in motor, transformer, and lighting applications with 120, 240, or 277 VAC loads.

Available with various bimetallic elements to match the circuit-breaker characteristics of the device to the application.

PEPI F: Is normally closed and opens on temperature rise (over temp protection)



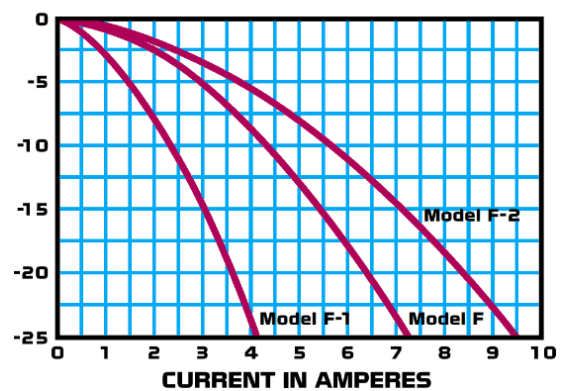
Features

- Conductive bimetal construction; the bimetallic element carries the circuit current for maximum sensitivity under short circuit conditions.
- Snap-action device; quick make/ quick break switching action.
- Temperature differential between opening and closing can vary from 10°C to 70°C depending upon the no-load calibration temperature.
- Case is electrically alive; insulating sleeving is available.
- Preset calibration temperature; not adjustable in the field.

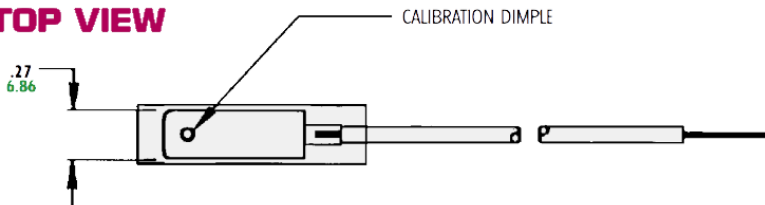
Contact Ratings

- 12 amps 120 VAC inductive
- 8 amps 240VAC inductive
- 5 amps/277 volts AC inductive
- Tungsten rated for 10,000 cycles
- VDE certified

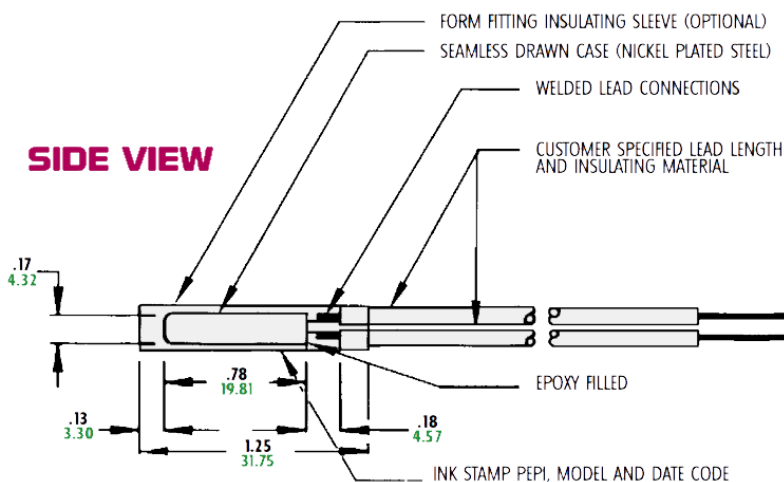
CURRENT DERATING CURVE



TOP VIEW



SIDE VIEW



Calibration Temperature Range
Available with nominal calibration temperatures from 60°C to 150°C preset

PLEASE CONTACT ATC SEMITEC LTD FOR FURTHER INFORMATION:

PEPI Model F are calibrated to a preset temperature and these are **CUSTOM MADE** to each customer.

Email: sales@atcsemitec.co.uk

Phone: (UK) 01606 871680