



SEFUSE SF-K - Slim Thermal Fuses

Our SF-K thermal fuse is a smaller slimmer version of our SF-R series but still uses an organic thermosensitive pellet within a metal case. It features a large rated current of up to 10A/250VAC and calibration up to 216°C.

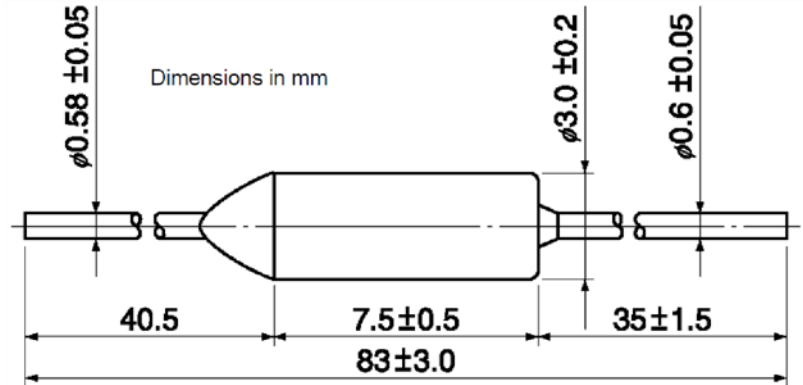
Features

- Very quick response time
- 6A/10A rating
- High Tmax rating
- RoHS and REACH compliant

Applications

- Li-ion batteries
- Small appliances
- Personal appliances

Dimensions (Unit: mm)



Markings

■ Marking 1 (SF70K~SF119K)

SEFUSE	Brand Name
SF 70K	Part Number
73° C	Rated Functioning Temperature
6A 250V~	Rated Voltage
<PS>E JET	Inspector Name
0365	Lot Number

Rated Current: 6A
PSE Mark: <PS>E JET

■ Marking 2 (SF188K, SF214K)

SEFUSE	Brand Name
SF188K	Part Number
192° C	Rated Functioning Temperature
6A 250V~	Rated Voltage
<PS>E JET	Inspector Name
0365	Lot Number

Rated Current: 6A
PSE Mark: <PS>E JET

How to read a lot number
ex.) 03 6 5

03: Last two digit of year
6: Month
5: Sub-lot number

X...October
Y...November
Z...December

Ratings

(1) Part Number	Rated Functioning Temperature Tf (°C)	Operating Temperature (°C)	(2) Th (°C)	Tm (°C)	(3) Rated Current	Rated Voltage	UL/cUL	VDE	BEAB	CCC	KTL	PSE				
							Thailand	Thailand	Thailand	Thailand	Thailand (SU05020_****)	Thailand (JET1974_-****)				
SF70K	73	70±2	45	150	6A (Resistive)	AC250V	E71747	677802 -1171 -0006	C1180	20080102 05282881	5004	1003				
SF76K	77	76+0/-4	51													
SF90K	94	90±2	66													
SF96K	99	96±2	71													
SF119K	121	119±2	94													
SF167K	167	164±2	152	200			E71747	677802 -1171 -0006	C1180	20080102 05282881	(5)	1006				
SF188K	192	188+3/-1	164	300									(4)	-	5007	1007
SF214K	216	214+1/-3	198													

Note

- 1) No use of hazardous substances prescribed by WEEE and RoHS. All products do not use SVHC prescribed by REACH (191 substances, 27th June, 2018).
- 2) This is the maximum temperature measured on the thermal link when it continues to conduct a rated current without changing its state of conductivity for 168 hours.
- 3) The following electrical ratings were used for the UL, VDE, and KTL safety standards: 10A (Resistive)/AC 250V.
- 4) The following SF-types have passed the Conductive Heat Aging Test (CHAT) specified by the UL safety standard: SF188K and SF214K.
- 5) Pending approval.

For further information please contact us at sales@atcsemitec.co.uk