

## BTS1 – Boiler Screw-In Thermistor Sensors

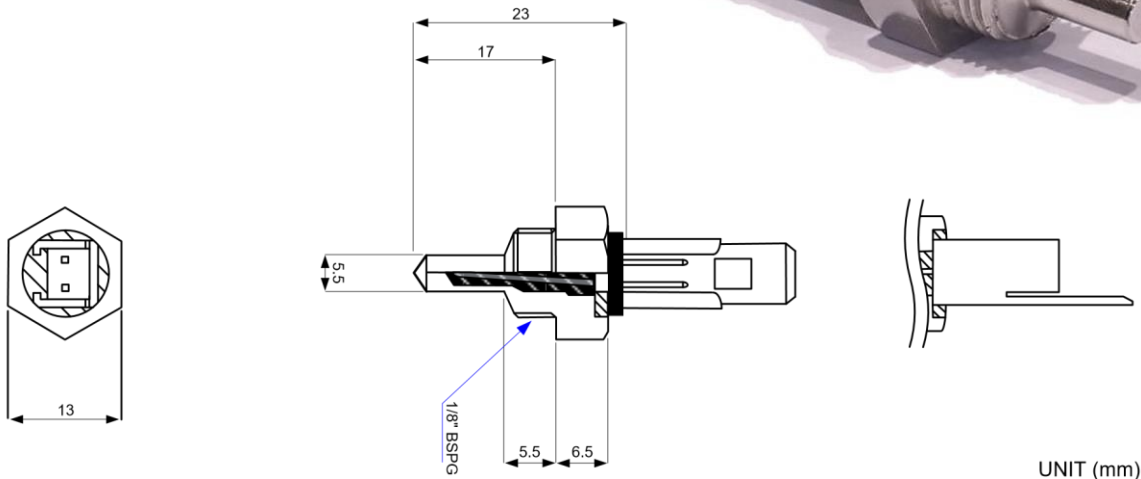
### Applications

- Gas boilers
- Heating and air conditioning systems
- Instant water heaters
- Compress



### Features

- Fast response design ( $T_c \leq 5s$ )
- Accuracy  $\pm 3\%$ , available  $\pm 0.2K$  ( $0-70^\circ C$ )
- Interchangeability between NTCs
- Excellent long-term stability
- Operating range up to  $+150^\circ C$  possible



|                       |  |
|-----------------------|--|
| NTC Thermistor Series | AT-2, ATC3, ET, ATCG, ATCS, SP                                     |
| Temperature Range     | $-50^\circ C / +150^\circ C$ depending on NTC                      |
| Sensor Accuracy       | $R25 \pm 3\%$ as standard, $\pm 0.2K$ ( $0-70^\circ C$ ) available |
| Sensor Material       | Nickel-plated brass, brass, stainless steel                        |
| Lead Wires            | Integral as a special option                                       |
| Connectors            | Lumberg 2.5 MSF, Tyco Modu, etc                                    |

### Options

Special versions available, please contact us with your requirements

smart@atcsemitec.co.uk