

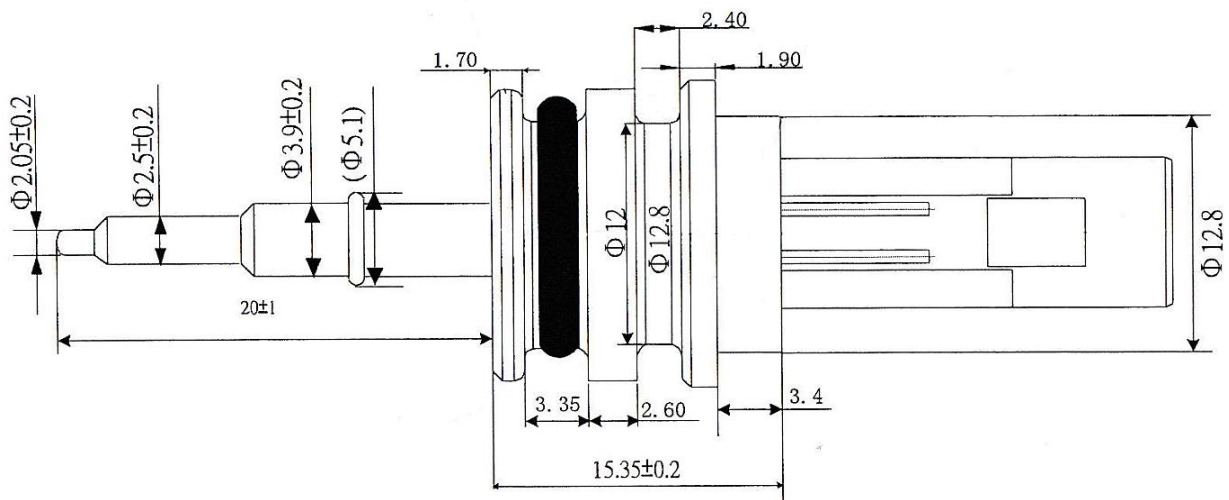
BTS5- Fast response push fit boiler probe

Applications

- Gas boilers
- Heating and air conditioning systems
- Instant water heaters
- Compress

Features

- Fast response design ($T_c \leq 1s$)
- Accuracy possible to $\pm 0.2K$ (0-70°C)
- Interchangeability between NTCs
- Excellent long-term stability
- Operating range up to +150°C possible



NTC Thermistor Series	ET, NT, SP
Temperature Range	-50°C/+150°C depending on NTC
Sensor Accuracy	R25 \pm 3% as standard, \pm 0.2K (0-70°C) available
Sensor Material	316 stainless steel
Connectors	Lumberg 2.5 MSF, Tyco Modu, etc

Options

Special versions available, please contact us with your requirements