



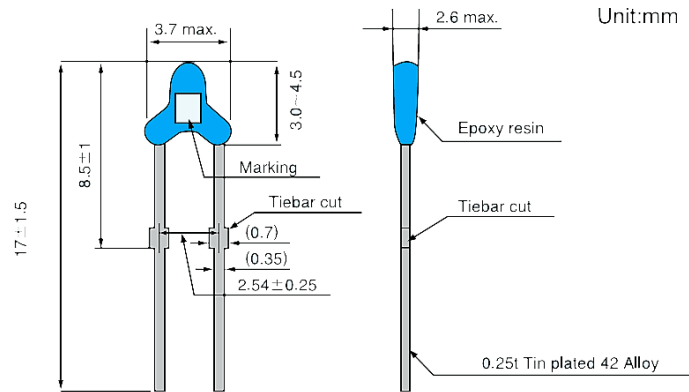
Semitec AP NTC Thermistor

Semitec AP Thermistors

Our AP thermistors offer an even higher level of precision than our AT-2 thermistors and with a 150°C T_{max} rating, they are suitable for a multitude of applications;

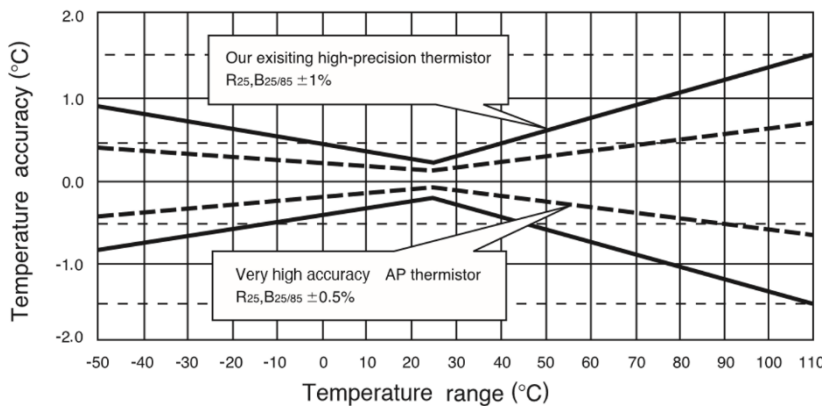
Applications

- Battery chargers
- Battery packs
- Digital thermometers
- Domestic appliances
- Automotive
- Home automation
- Fire & Security
- Temperature Sensors
- Measuring instruments



Features

- Very high accuracy between -60°C to +80°C
- Tight R₂₅ and B_{25/85} tolerances (±0.5%)



Part Number

103 AP-2

- 103: B value variation
- AP: AP thermistor
- 2: Zero-power resistance at 25°C
- 103: 10 × 10³ Ω

Part No.	R ₂₅ * ¹	B value** ²	Dissipation factor (mW/°C) Approx.	Thermal time constant (s) ³ Approx.	Rated maximum power dissipation (at 25°C) (mW)	Category temperature range (°C)
202AP-2	2.00kΩ	3976K	1.2	15	6	-60~+150
232AP-2	2.252kΩ	3976K				
502AP-2	5.00kΩ	3976K				
103AP-2	10.0kΩ	3435K				
103AP-2-A		3976K				
203AP-2		3976K				
503AP-2	50.0kΩ	4220K				
104AP-2	100kΩ	4261K				
204AP-2	200kΩ	4470K				

*¹ Rated zero-power resistance value at 25°C.

**² B value determined by rated zero-power resistance at 25°C and 85°C.

³ Time necessary to reach 63.2% of temperature difference. Measured in still air.

For further information please contact us at sales@atcsemitec.co.uk