

1/2 Disc , Automatic Reset type thermostat

THERMOSTAT US-118

Application/Bath boiler, water heater, etc.

Operating temp. 250°C max.



Stainless braket

US-118CXIO



US-118BXHL



US-118BXHM

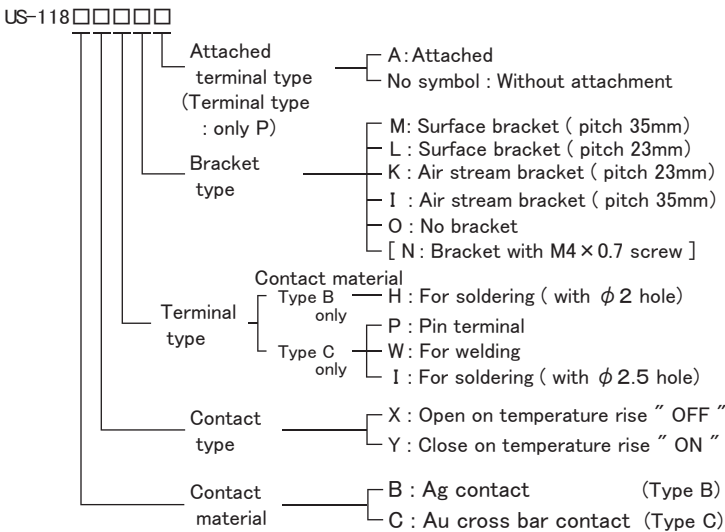
Specification

Electrical rating	Type B : 125 VAC 3A max. (200mA min.) Type C : 24 VDC 1A max. (5 VDC 1mA min.) 40 VDC 0.5A max. (5 VDC 1mA min.)				
Operation temp. range	0~50°C	51~100°C	101~150°C	151~190°C	191~250°C
Temperature tolerance	±4/±5	±4/±6	±5/±7	±6/±8	±8/±10
Differential	15K	15K	20K	25K	30K
Circuit resistance	Type B : 70 mΩ or less Type C : 10 mΩ or less				
Insulation resistance	100 MΩ or more [with a 500 VDC megger]				
Dielectric strength	Type B : 1,200 VAC / 1min. Type C : 1,000 VAC / 1min.				
Heat resistance	250°C				
Cold resistance	-20°C				
Switching durability	100,000 times or more [at rated load]				

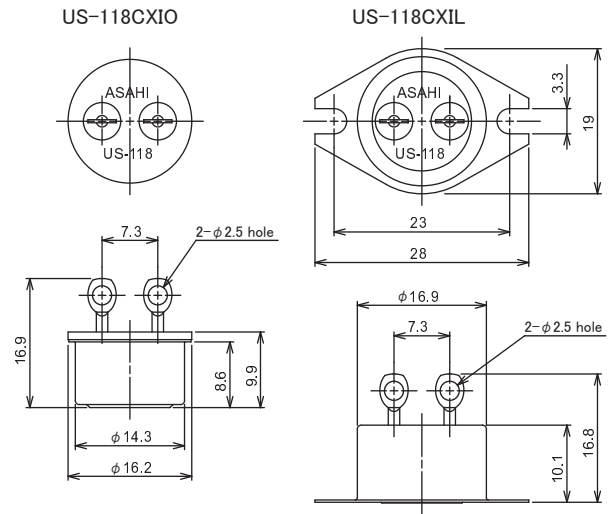
* The maximum temperature on the JIA certification will be 180 °C

* Please contact the Overseas Sec. for the details since the types and specifications of the approved models are slightly different from those shown above.

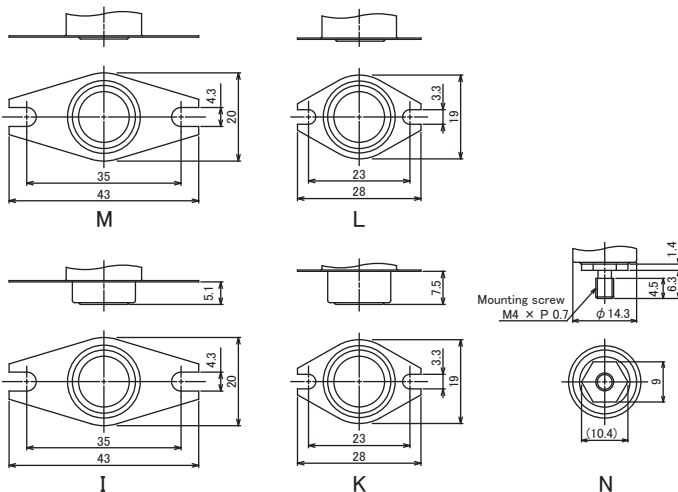
Model code



Dimensional drawings



Bracket type



Terminal type

