

## Semitec STS4- Thin Film Temperature Sensor

This flexible and highly responsive temperature sensor uses Semitec's miniature thin-film FT NTC. The Semitec STS4 flexible film sensor is suitable for surface sensing applications up to 230°C, with a Tc typically around 1 second.

### Features:

- Fast response design (Tc < 1 sec)
- The highly sensitive FT NTC is laminated between two high-grade polymer layers that give both robustness and high temperature thermal stability.
- Flexible film sensing tip enables easy placement close to the heat source.
- Excellent long-term stability.

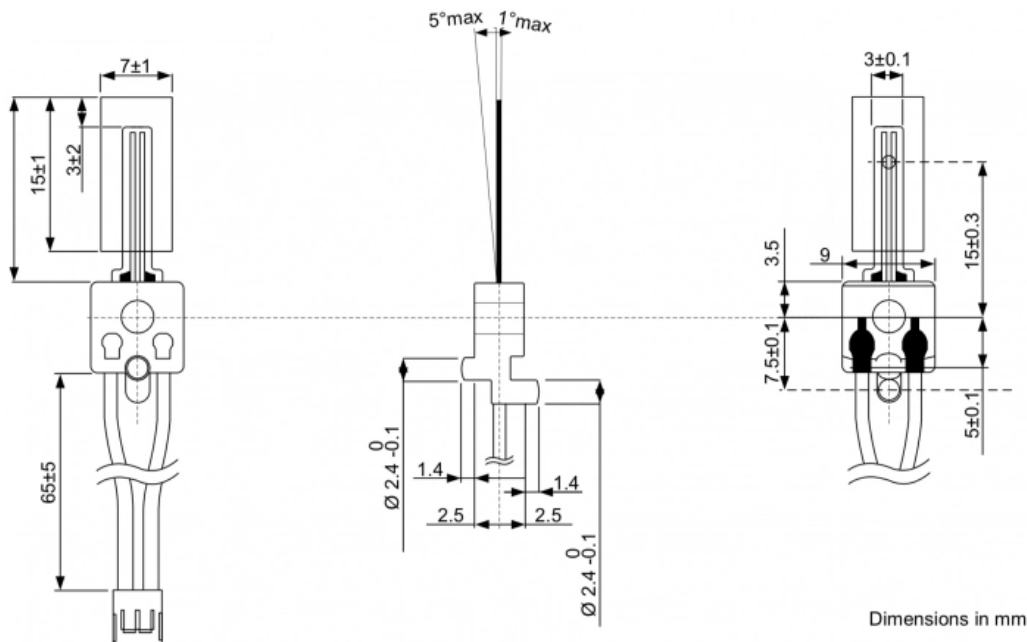
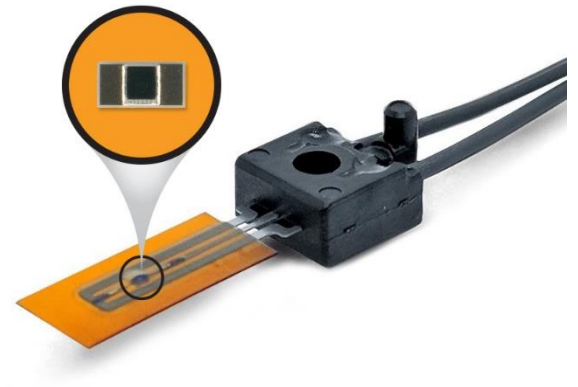
### Operating temperature range:

- Operating range - 20°C to 230°C
- Accuracy ±3% or better, ±1% possible

### Technical:

- Utilises Semitec FT NTC series
- RT Table available on request
- Connector options - JST XHP-2, Molex Mini-fit Jr., etc
- Sensor Material -PTFE/FEP Film Encapsulation
- Lead Wires - 24~28AWG PVC, XLPE, FEP

### Integrated Semitec FT Thin-film element



### Applications:

- E-V Battery monitoring systems, Personal care, Laser printers, Catering/hot plates/appliances. Bespoke lead lengths, housings, accuracies etc are available for volume applications.

For further information please contact us at [sales@atcsemitec.co.uk](mailto:sales@atcsemitec.co.uk)