

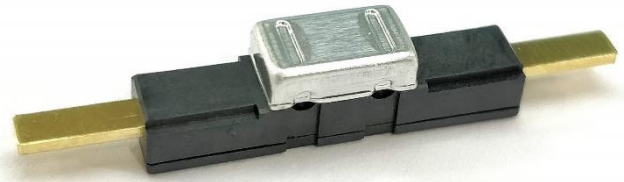


PEPI H9, H91, H10 – Bimetal Thermal Fuses

Bi-metal type, Single-Pole Single-Throw (SPST), Non-adjustable, Snap action, Open on temperature-rise, Single operation thermal fuse

Applications

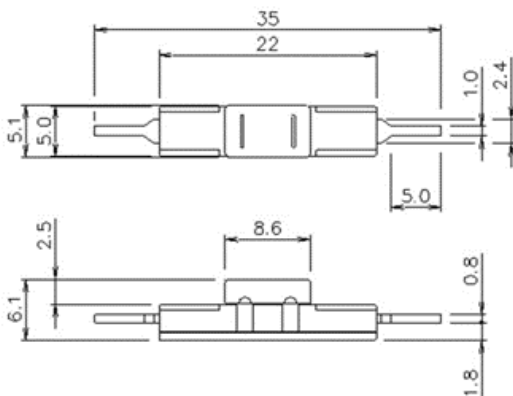
- Home and kitchen appliances
- Haircare products
- Office automation equipment (printers, fax, copy machines, etc.)
- Over temperature protection of electric heaters.



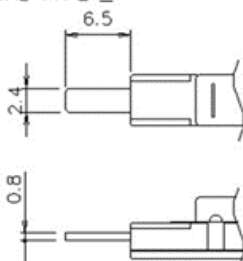
Features

- Ultra-small and high-speed response single operation thermal fuse.
- Calibration temperature range from 130°C to 260°C
- Calibration temperature tolerance $\pm 7^\circ\text{C}$ as standard, other tolerances available.
- Reset temperature is less than -35°C . This prevents the fuse from resetting under normal operating conditions.
- Phenolic resin case provides high temperature isolation.
- Custom terminals and lead wires options available for high volume applications.

TERMINAL TYPE _ B



TERMINAL TYPE _ A



Model	Electrical Load
H9	250V ac 15A Max Resistive Load
H91	24V dc 15A Max Resistive Load
H10	50V dc 1A Max Resistive Load

Temperature Range

130°C to 260°C

Mounting & Other options

Various housings or lead-wires can be added to enable radial mounting and other connecting options.

Certifications

UL / c-UL
TUV

For further information please contact us at sales@atcsemitec.co.uk