

FRP2 – Exposed Tip Temperature Sensor

ATC Semitec's FRP2 exposed bead temperature sensor uses a glass bead NTC thermistor held securely in a stainless-steel housing with fibreglass sleeving. The exposed tip of the NTC helps to minimise thermal delay and so can be used to measure fast-changing air temperatures.

Features:

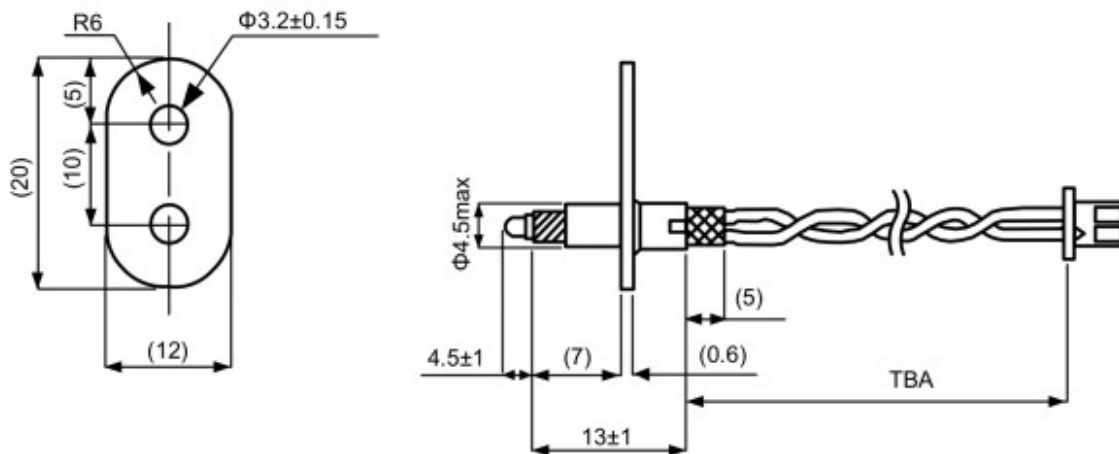
- Fast response ($T_c \leq 1s$)
- 304 stainless-steel housing
- R25 Tolerance $\pm 3\%$ or $\pm 1\%$
- Range -50°C to $+250^\circ\text{C}$

Applications

- Tumble Driers
- Catering Equipment
- Hot-air appliances (e.g. pop-corn machines)
- Microwave Ovens



Drawing:



All dimensions in mm

Technical:

NTC Thermistor Series	NT-4
Temperature Range	-50°C to $+250^\circ\text{C}$
Sensor Accuracy	R25 $\pm 3\%$ as standard, $\pm 1\%$ available
Sensor Material	304 stainless-steel
Lead Wires	From 24~28 AWG PVC, XLPE, FEP
Connectors	JST XHP-2, Molex Mini-fit Jr., etc.

For further information please contact us at sales@atcsemitec.co.uk