

## FRP3 – Fast Response Thermistor Sensors

ATC Semitec's FRP3 series temperature sensor is a standard gas boiler sensor supplied with an 1/8" BSPG thread and integral connector. Metric thread sizes and flexible lead-wire options are also readily available.



### Features:

- Fast Response Design ( $T_c \leq 1s$ )
- Accuracy  $\pm 1^\circ C$  available  $\pm 0.2K$  (0-70°C)
- Interchangeability between NTCs or RTDs
- Excellent long-term stability
- Operating range up to  $+125^\circ C$

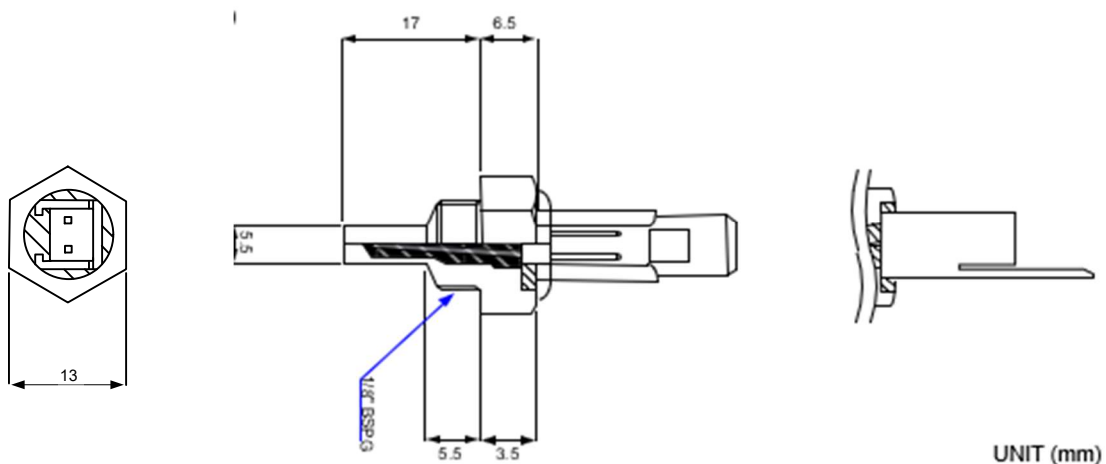
### Technical:

NTC Thermistor Series	AT-2, ATC3, ET, NT-4, ATCS, SP, RTD
Temperature Range	-40°C to +125°C depending on NTC/RTD
Sensor Accuracy	R25 $\pm$ 3% as standard, $\pm$ 1% available
Sensor Material	Nickel-plated brass, brass, stainless steel
Lead Wires	Integral as a special option
Connectors	Lumberg 2.5 MSF, Tyco Modu, etc

### Applications:

Gas Boilers, Instant Water Heaters, Coffee Machines, Catering Equipment

**Bespoke options available upon request** – Special versions available for volume applications.



For further information please contact us at [sales@atcsemitec.co.uk](mailto:sales@atcsemitec.co.uk)